

## True Espresso at a Touch.

The Eversys Cameo brings together the most advanced coffee machine technologies and authentic styles to create an all-round incredible coffee experience.

Ingeniously simple,  
simply ingenious.



### Sophisticated Design

Modular build quality delivers easy service ability and sophisticated design.

### Remote Management

Simple management of the machine wherever you are via telemetry/LAN connection.

### Barista Milk style

Today's multiple milk recipes require variable milk textures. With Eversys' new Electronic Milk Texturing (EMT) system it is possible to create individual milk foams and textures.

### Ease of Use

Intuitive user interface and a fully automatic cleaning system.

### High Performance

High performance coffee machine with a high performance-volume ratio; 350 espresso shots per hour and ability to make 2 espressos simultaneously

## Machine Specifications

### Power

This machine requires access to 1 x 20amp plug socket on site.

### Water

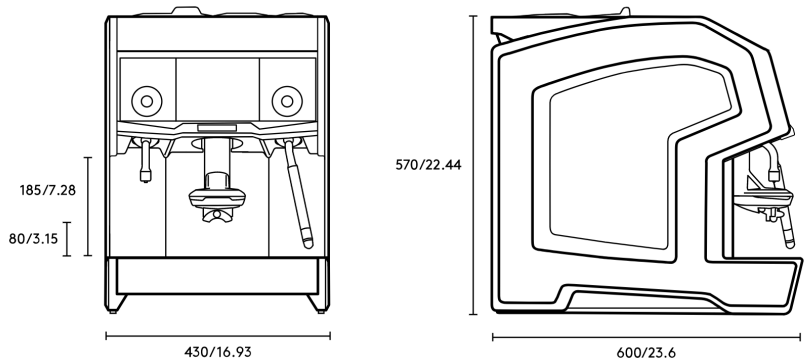
This machine requires a 15mm cold water feed with isolated stop valve, 3/4 inch-BSP screw fittings used (standard for washing machines). 1-3 BAR pressure is needed to run the machine. Very high/low pressure will need to be addressed prior to install with a pump fitted for low pressure and a regulator fitted for high pressure.

### Filter

This machine will require a minimum of a BRITA C300 water filter (provided at time of install). Please make sure there is sufficient room for the filter next to the water supply to the machine.

### Waste

This machine requires 1 1/2 inch down pipe.



<b>Dimensions (mm):</b>	<b>W430</b>	<b>D600</b>	<b>D570</b>
<b>Weight Net Gross (kg):</b>	<b>60</b>		
<b>Power (AMPs):</b>	<b>15</b>		
<b>Largest Cup Weight:</b>	<b>16</b>		
<b>c'2m:</b>	<b>Coffee. Tea. Milk.</b>		